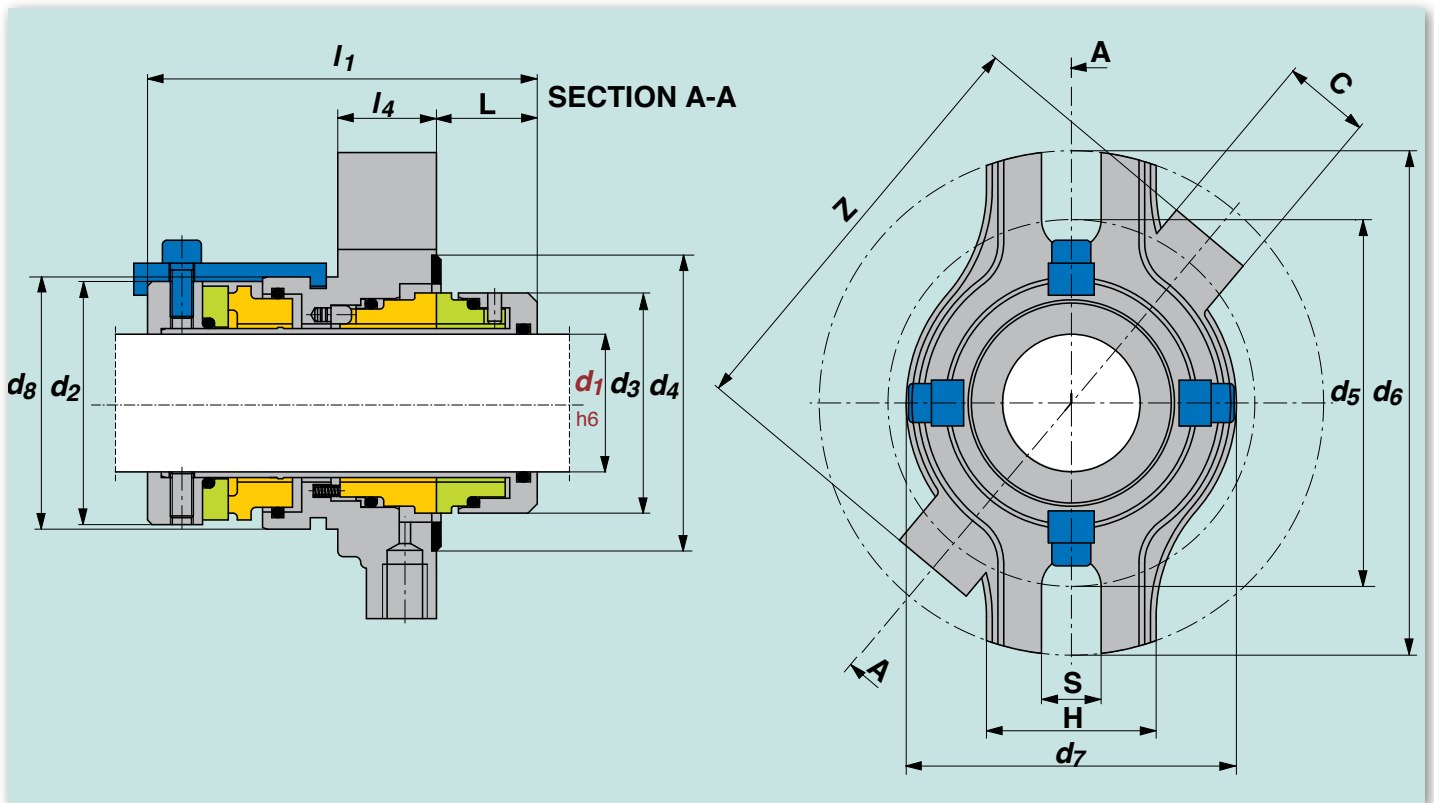


# TYPE 972



## ROTEN

### TYPE 972

| $d_1$ , mm | $d_1$ , inch | $d_7$ | $d_5$ | $d_6$ | $d_8$ | S  | H    | C  | Z   | $d_4$ | $d_2$ | $d_3$ | $l_1$ | L  | $l_4$ |
|------------|--------------|-------|-------|-------|-------|----|------|----|-----|-------|-------|-------|-------|----|-------|
| 24         | -            | 67    | 76    | 104   | 51    | 13 | 35   | 19 | 90  | 58    | 49    | 42,9  | 85    | 22 | 21,5  |
| 25         | 1,000        | 67    | 76    | 104   | 51    | 13 | 35   | 19 | 90  | 58    | 49    | 42,9  | 85    | 22 | 21,5  |
| 28         | 1,125        | 67    | 76    | 104   | 53,8  | 13 | 35   | 19 | 90  | 61    | 52    | 45,5  | 85    | 22 | 21,5  |
| 30         | -            | 72    | 80    | 110   | 55    | 13 | 37   | 19 | 94  | 63    | 53    | 48    | 85    | 22 | 21,5  |
| 32         | 1,250        | 72    | 80    | 110   | 58    | 13 | 37   | 19 | 94  | 65,5  | 56    | 50    | 85    | 22 | 21,5  |
| 33         | -            | 72    | 80    | 110   | 58    | 13 | 37   | 19 | 94  | 65,5  | 56    | 50    | 85    | 22 | 21,5  |
| 35         | 1,375        | 72    | 80    | 110   | 60    | 13 | 37   | 19 | 94  | 68    | 58    | 53    | 85    | 22 | 21,5  |
| 38         | 1,500        | 81    | 89    | 128   | 63    | 13 | 37   | 19 | 102 | 72    | 61    | 56    | 85    | 22 | 21,5  |
| 40         | -            | 81    | 89    | 128   | 65    | 13 | 37   | 19 | 102 | 73    | 63    | 58    | 85    | 22 | 21,5  |
| 42         | -            | 86    | 100   | 142   | 68    | 14 | 38   | 19 | 106 | 75,5  | 66    | 60,8  | 85    | 22 | 21,5  |
| 43         | 1,625        | 86    | 100   | 142   | 68    | 14 | 38   | 19 | 106 | 75,5  | 66    | 60,8  | 85    | 22 | 21,5  |
| 45         | 1,750        | 86    | 100   | 142   | 70    | 14 | 38   | 19 | 106 | 77,8  | 68    | 63    | 85    | 22 | 21,5  |
| 48         | 1,875        | 95    | 106   | 154   | 75    | 17 | 43   | 19 | 116 | 82,8  | 73    | 68    | 85    | 22 | 21,5  |
| 50         | 2,000        | 95    | 106   | 154   | 75    | 17 | 43   | 19 | 116 | 82,8  | 73    | 68    | 85    | 22 | 21,5  |
| 53         | 2,125        | 95    | 106   | 154   | 80,7  | 17 | 43   | 19 | 116 | 87    | 78,7  | 73    | 85    | 22 | 21,5  |
| 55         | -            | 95    | 106   | 154   | 80,7  | 17 | 43   | 19 | 116 | 87    | 78,7  | 73    | 85    | 22 | 21,5  |
| 58         | -            | 104   | 120   | 172   | 85    | 17 | 45   | 19 | 124 | 93    | 83    | 78    | 85    | 22 | 21,5  |
| 60         | 2,250        | 104   | 120   | 172   | 85    | 17 | 45   | 19 | 124 | 93    | 83    | 78    | 85    | 22 | 21,5  |
| -          | 2,375        | 104   | 120   | 172   | 85    | 17 | 45   | 19 | 124 | 93    | 83    | 78    | 85    | 22 | 21,5  |
| 63         | 2,500        | 124   | 128,5 | 180   | 91    | 17 | 53   | 19 | 148 | 101,5 | 89    | 87,4  | 87    | 24 | 21,5  |
| 65         | -            | 124   | 128,5 | 180   | 91    | 17 | 53   | 19 | 148 | 101,5 | 89    | 87,4  | 87    | 24 | 21,5  |
| 68         | 2,625        | 124   | 128,5 | 180   | 96    | 17 | 53   | 19 | 148 | 107   | 94    | 92    | 87    | 24 | 21,5  |
| 70         | 2,750        | 124   | 128,5 | 180   | 96    | 17 | 53   | 19 | 148 | 107   | 94    | 92    | 87    | 24 | 21,5  |
| -          | 2,875        | 136   | 148   | 200   | 110   | 19 | 57,5 | 19 | 168 | 120,5 | 106   | 99,5  | 122,2 | 34 | 28,5  |
| 75         | -            | 136   | 148   | 200   | 110   | 19 | 57,5 | 19 | 168 | 120,5 | 106   | 99,5  | 122,2 | 34 | 28,5  |
| -          | 3,000        | 136   | 148   | 200   | 114   | 19 | 57,5 | 19 | 168 | 130   | 110   | 104,5 | 114,6 | 35 | 28,5  |
| 80         | 3,125        | 136   | 148   | 200   | 114   | 19 | 57,5 | 19 | 168 | 130   | 110   | 104,5 | 114,6 | 35 | 28,5  |
| -          | 3,250        | 150   | 160   | 220   | 124   | 20 | 68   | 19 | 170 | 132,8 | 117   | 109,5 | 113,7 | 38 | 27    |
| 85         | 3,375        | 150   | 160   | 220   | 124   | 20 | 68   | 19 | 170 | 132,8 | 117   | 109,5 | 113,7 | 38 | 27    |
| 90         | 3,500        | 150   | 160   | 220   | 124   | 20 | 68   | 19 | 170 | 140,8 | 120   | 114,5 | 114   | 38 | 27    |
| -          | 3,625        | 164   | 176   | 240   | 135   | 20 | 74   | 19 | 182 | 146,5 | 131   | 124,5 | 113,3 | 33 | 30    |
| 95         | 3,750        | 164   | 176   | 240   | 135   | 20 | 74   | 19 | 182 | 146,5 | 131   | 124,5 | 113,3 | 33 | 30    |
| 100        | 3,875        | 164   | 176   | 240   | 135   | 20 | 74   | 19 | 182 | 146,5 | 131   | 124,5 | 113,3 | 33 | 30    |

Dimensions in mm.

### MAX. WORKING CONDITIONS

These depend on:  $\varnothing$  shaft, pressure, speed, temperature and fluid to be sealed.

$$p \leq 30 \text{ bar}$$

$$t = -35 \div 200^\circ\text{C}$$

$$v \leq 15 \text{ m/s}$$

| COMPONENTS                           | STANDARD MATERIALS   |
|--------------------------------------|----------------------|
| Housing, sleeve, drive ring, flanges | L1 X1                |
| Faces                                | K1 R1 V1 V2 V3       |
| Gaskets                              | B1 E1 F1 N1 P1 W1 Y1 |

Double cartridge balanced seal with flush barrier fluid capabilities and reduced flange. Can be used on all critical application where a double seal is needed (i.e. gluing media, hot or very dirt fluids...). It's very compact and very simple to install, without necessity to check the installation dimensions. The springs are out of the media and this ensure no - clogging troubles free operation. The reduced flange give the possibility to install the seal also when available space are limited.

