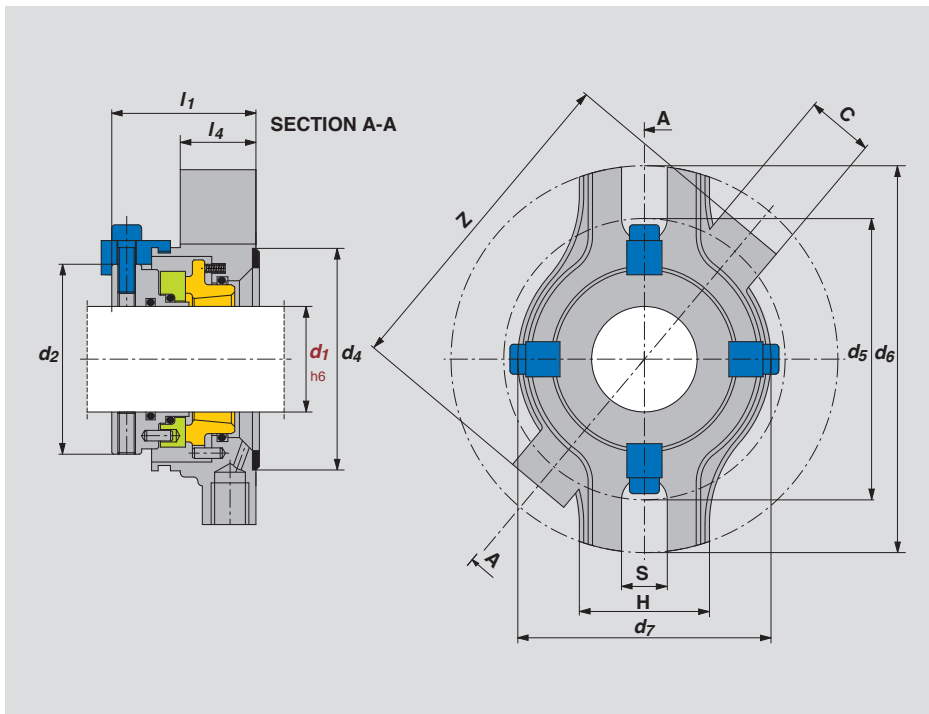


TYPE 600SL



MAX. WORKING CONDITIONS

These depend on: \varnothing shaft, pressure, speed, temperature and fluid to be sealed. See page 74.

- $p \leq 30 \text{ bar}$
- $t = -35 \div 200^\circ\text{C}$
- $v \leq 15 \text{ m/s}$

ROTEN											
TYPE 600SL											
d_1	d_2	d_4	d_7	d_5	d_6	l_1	l_4	C	H	S	Z
24	42	58	67	76	104	41	22,5	19	35	13	90
25	42	58	67	76	104	41	22,5	19	35	13	90
28	42	61	67	76	104	41	23	19	35	13	90
30	54	63	72	80	110	41	21,5	19	37	13	94
32	54	65,5	72	80	110	41	21,5	19	37	13	94
33	54	65,5	72	80	110	41	21,5	19	37	13	94
35	61	68	81	89	128	41	21,5	19	37	13	102
38	61	70	81	89	128	41	21,5	19	37	13	102
40	61	72,8	81	89	128	41	21,5	19	37	13	102
42	65	75	86	100	142	41	21,5	19	38	14	106
43	65	75	86	100	142	41	21,5	19	38	14	106
45	65	77,8	86	100	142	41	21,5	19	38	14	106
48	74	82,8	95	106	154	41	21,5	19	43	17	116
50	74	82,8	95	106	154	41	21,5	19	43	17	116
53	74	87	95	106	154	41	21,5	19	43	17	116
55	80	87	104	120	172	41	21,5	19	45	17	124
58	80	93	104	120	172	41	21,5	19	45	17	124
60	80	93	104	120	172	41	21,5	19	45	17	124
65	87	101,5	124	134	180	45	26,5	19	53	17	136
70	87	107	124	134	180	50	26,5	19	53	17	136
75	113	120,5	136	148	200	55	26,5	19	59	19	148
80	114	130	136	148	200	55	26,5	19	59	19	148
85	123	135	150	160	220	55	26,5	19	68	20	160
90	123	141	150	160	220	55	26,5	19	68	20	160
95	134	141	164	176	240	55	26,5	19	74	20	172
100	134	152	164	176	240	55	26,5	19	74	20	172
105	134	152	164	176	240	55	26,5	19	74	20	172

Dimensions in mm.

Single cartridge balanced seal with flush.

It is a cartridge seal without sleeve, which gives great flexibility to this seal. It is very simple to install with no need to check the installation dimensions. The springs are out of the media and this ensures a no-clogging, trouble-free operation. The conical form of the stationary seat increases the flush capabilities of the media. It has a good cost/performance ratio. All seal parts are out of stuffing box and this provides more fluid circulation on the seal area.



COMPONENTS	STANDARD MATERIALS
Housing, sleeve, drive ring, flanges	L1 X1
Faces	K1 R1 V1 V2 V3
Gaskets	B1 E1 F1 N1 P1 W1 Y1